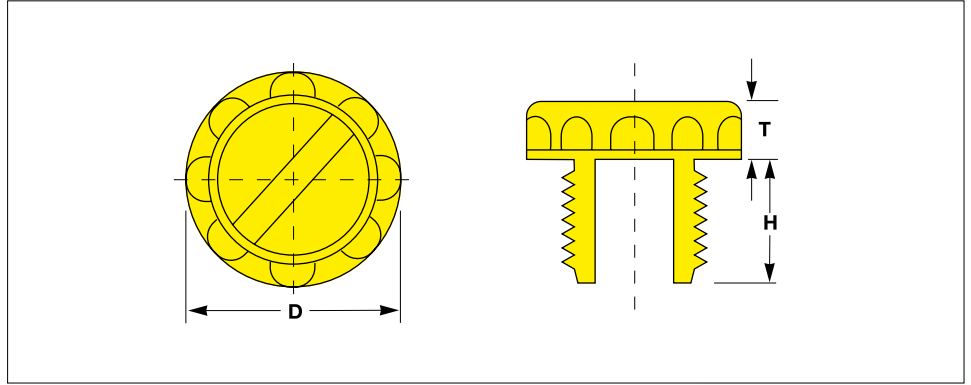


Threaded Protection Plugs

Suitable for a wide range of metric, imperial and pipe threads
The knurled head and screwdriver slot allow for easy installation and removal

prompt

MADE-TO-ORDER
VOLUME



All dimensions in mm

Material :
HD-PE,
high density polyethylene

Standard Colour :
yellow

Designed to protect BSP and metric fittings and threads from damage and contaminants.

The knurled head and screwdriver slot allow for easy installation and removal

Think Plastic. Go Protec.®

PROTEC
PLASTICS

Pipe Thread DIN 259/DIN ISO 228 BSP Thread	D	H	T	Reference No.
R .1/8"	21.0	9.0	5.0	EP 400 / .1/8"
R .1/4"	21.0	9.0	5.0	EP 400 / .1/4"
R .3/8"	23.0	10.0	6.0	EP 400 / .3/8"
R .1/2"	28.0	12.0	6.0	EP 400 / .1/2"

Pipe Thread DIN 13/DIN ISO 6149-1 Metric Thread	D	H	T	Reference No.
M 12 × 1.5	21.0	9.0	5.0	EP 400 / M 12 × 1.5
M 14 × 1.5	21.0	9.0	5.0	EP 400 / M 14 × 1.5
M 16 × 1.5	23.0	10.0	6.0	EP 400 / M 16 × 1.5
M 18 × 1.5	22.6	10.0	6.0	EP 400 / M 18 × 1.5
M 20 × 1.5	28.0	12.0	6.0	EP 400 / M 20 × 1.5
M 22 × 1.5	28.0	12.0	6.0	EP 400 / M 22 × 1.5

Should your requirements not be shown please ask for separate quotation.
PROTEC products and specifications are subject to improvement and change without notice.

Threaded Protection Plugs

Suitable for a wide range of metric, imperial and pipe threads

The knurled head and screwdriver slot allow for easy installation and removal

TRIPLE ADVANTAGE of PROTEC CAPTOP®

QUALITY. Designed to protect BSP and metric fittings and threads from damage and contaminants. The knurled head and screwdriver slot allow for easy installation and removal.

AVAILABILITY. With over 400 million moulded components shipped from our Oststeinbek / Hamburg logistics center we provide the fastest on time delivery service to all markets and industries.

PHILOSOPHY. Innovative protective closures at the best price in the market.



CAPTOP®



Material :
HD-PE,
high density polyethylene

Standard Colour :
yellow

Individual Productions :
On request we develop and produce individually tailored solutions next to the standard items of this range: additional dimensions, different materials and new colours

We would be pleased to advise you.

Think Plastic. Go Protec.®

PROTEC
PLASTICS