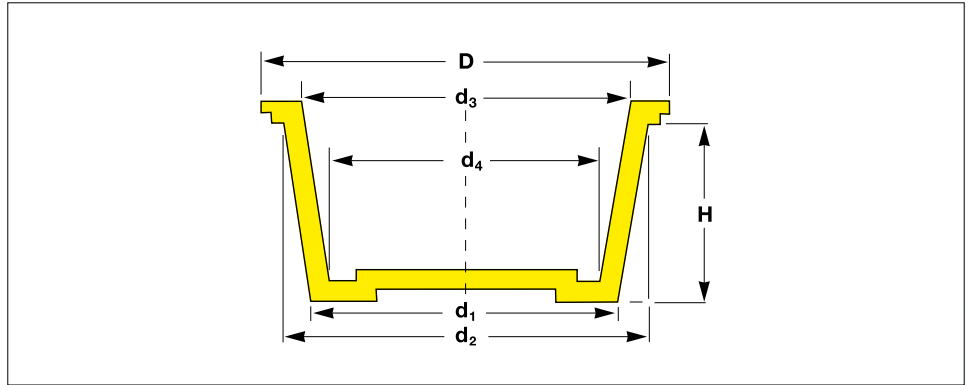


# Tapered Protection Plugs / Caps

Low-cost. Can be used as either a cap or plug  
Easy fitting and removal. Provide excellent protection from damage, dirt, moisture and corrosion during storage and transportation

immediate

FREE  
SAMPLES



All dimensions in mm

Dimensions						Reference No.
d <sub>1</sub>	d <sub>2</sub>	d <sub>3</sub>	d <sub>4</sub>	D	H	
4.4	6.15	4.6	2.8	10.0	10.0	EP 280 / ○ 1
6.0	7.75	6.15	4.4	11.0	10.0	EP 280 / ○ 2
7.6	9.35	7.75	6.0	13.0	10.0	EP 280 / ○ 3
8.4	10.15	8.55	6.8	14.0	10.0	EP 280 / ○ 4
9.2	10.95	9.25	7.5	14.0	10.0	EP 280 / ○ 5
9.9	11.35	10.05	8.3	15.0	10.0	EP 280 / ○ 6
10.6	12.35	10.75	9.0	16.0	10.0	EP 280 / ○ 7
11.3	13.05	11.55	9.5	17.0	11.0	EP 280 / ○ 8
12.0	14.1	12.5	10.4	18.0	13.0	EP 280 / ○ 9
12.5	14.6	13.3	11.2	18.0	12.0	EP 280 / ○ 10
13.5	15.6	14.0	11.9	19.0	13.0	EP 280 / ○ 11
14.0	16.1	14.5	12.4	19.0	12.9	EP 280 / ○ 12
15.0	17.0	15.5	13.2	21.0	13.0	EP 280 / ○ 13
16.1	18.4	16.9	14.5	22.0	13.0	EP 280 / ○ 14
17.3	19.4	17.6	15.5	22.0	15.3	EP 280 / ○ 15
17.5	20.1	18.5	15.9	24.0	16.0	EP 280 / ○ 16
18.4	21.0	19.4	16.8	25.0	16.0	EP 280 / ○ 17
19.0	21.6	20.0	17.4	25.0	15.8	EP 280 / ○ 18
20.4	23.2	21.6	18.8	27.0	17.2	EP 280 / ○ 19
20.7	23.5	21.9	19.1	28.0	17.0	EP 280 / ○ 20
22.0	25.1	23.2	20.4	29.0	17.0	EP 280 / ○ 21
23.2	26.35	24.35	21.2	30.0	19.3	EP 280 / ○ 22
24.5	27.8	26.2	22.9	32.0	20.1	EP 280 / ○ 23
25.5	29.2	27.7	23.7	33.0	21.0	EP 280 / ○ 24
26.4	30.4	28.9	24.9	33.0	19.0	EP 280 / ○ 24.1
27.8	31.1	29.5	26.2	35.0	20.1	EP 280 / ○ 25
29.8	32.6	31.1	28.3	37.0	17.1	EP 280 / ○ 26
31.4	35.1	33.4	29.7	38.0	22.0	EP 280 / ○ 27
33.3	37.1	35.5	31.7	41.0	23.4	EP 280 / ○ 28
36.7	40.5	39.0	35.2	45.0	23.4	EP 280 / ○ 29
38.4	40.7	39.2	36.9	45.0	13.0	EP 280 / ○ 291
38.2	43.0	41.4	36.6	47.5	23.0	EP 280 / ○ 30

**Material :**  
LLD-PE,  
linear low density polyethylene

**Standard Colours :**  
yellow

Low-cost. Can be used as either a cap or plug. Easy fitting and removal. Provide excellent protection from damage, dirt, moisture and corrosion during storage and transportation.

**Premium Protec Price advantage**  
**Consistently low prices**

**PROTEC PLASTICS**

Should your requirements not be shown please ask for separate quotation.  
PROTEC products and specifications are subject to improvement and change without notice.

# Tapered Protection Plugs / Caps

**Low-cost. Can be used as either a cap or plug**  
**Easy fitting and removal. Provide excellent protection from damage, dirt, moisture and corrosion during storage and transportation**

## TRIPLE ADVANTAGE of PROTEC CAPTOP®

**QUALITY.** Provide excellent protection from damage, dirt, moisture and corrosion during storage and transportation.

**AVAILABILITY.** With over 400 million moulded components shipped from our Oststeinbek / Hamburg logistics center we provide the fastest on time delivery service to all markets and industries.

**PHILOSOPHY.** Innovative protective closures at the best price in the market.



All dimensions in mm

Dimensions						Reference No.
d <sub>1</sub>	d <sub>2</sub>	d <sub>3</sub>	d <sub>4</sub>	D	H	
39.6	42.9	41.3	38.0	48.0	20.1	EP 280 / ○ 31
41.4	44.7	43.0	39.7	48.4	19.0	EP 280 / ○ 32
44.4	47.7	46.1	42.8	51.0	20.1	EP 280 / ○ 33
45.2	49.6	48.0	43.6	54.0	27.0	EP 280 / ○ 34
46.6	51.0	48.7	45.2	55.0	26.0	EP 280 / ○ 35
52.5	56.9	55.2	50.8	62.0	26.0	EP 280 / ○ 36
54.0	59.3	57.8	52.5	65.0	25.0	EP 280 / ○ 37
54.2	58.6	57.0	52.6	65.0	26.0	EP 280 / ○ 38
58.4	62.8	61.1	56.7	67.0	26.0	EP 280 / ○ 39
60.7	67.1	64.3	57.5	75.0	30.0	EP 280 / ○ 40
67.1	70.4	68.7	65.4	75.0	19.0	EP 280 / ○ 41
72.4	75.7	74.1	70.8	83.0	19.0	EP 280 / ○ 42
84.5	87.8	85.7	82.4	92.0	19.0	EP 280 / ○ 43



Should your requirements not be shown please ask for separate quotation.  
 PROTEC products and specifications are subject to improvement and change without notice.

**Material :**  
 LLD-PE,  
 linear low density polyethylene

**Standard Colours :**  
 yellow

**Individual Productions :**  
 On request we develop and produce individually tailored solutions next to the standard items of this range: additional dimensions, different materials and new colours

We would be pleased to advise you.

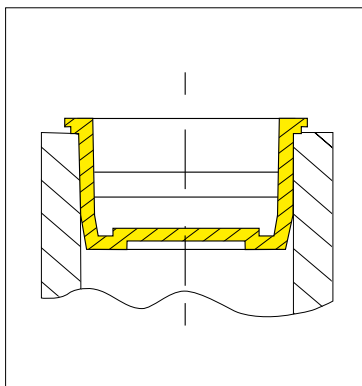
 **Always the best solution.**  
 **Always at the best prices.**

## Selection Guide for INTERNAL PROTECTION



## Used as a Plug

All dimensions in mm



Metric Internal Thread					Reference No.	
Standard thread	Fine thread		BSP	DIN 40430		
M 6			M 6 × 0.5		EP 280 - ○ 01	
M 8			M 8 × 1		EP 280 - ○ 02	
M 10			M 10 × 1,25		EP 280 - ○ 03	
M 11			M 10 × 1	.1/8"	EP 280 - ○ 04	
M 12					EP 280 - ○ 05	
		M 12 × 1	M 12 × 1.5		EP 280 - ○ 06	
M 14				PG 7	EP 280 - ○ 07	
			M 14 × 1.5	.1/4"	EP 280 - ○ 08	
			M 15 × 1.5		EP 280 - ○ 09	
M 16			M 15 × 1	PG 9	EP 280 - ○ 10	
			M 16 × 1.5		EP 280 - ○ 11	
M 18			M 17 × 1.5	.3/8"	EP 280 - ○ 12	
			M 18 × 1.5		EP 280 - ○ 13	
M 20	M 18 × 2 M 20 × 2				EP 280 - ○ 14	
			M 20 × 1.5	PG 11	EP 280 - ○ 15	
				.1/2"	EP 280 - ○ 16	
M 22	M 22 × 2			PG 13.5	EP 280 - ○ 17	
M 24			M 22 × 1.5		EP 280 - ○ 18	
	M 24 × 2			.5/8"	PG 16	EP 280 - ○ 19
			M 24 × 1.5		EP 280 - ○ 20	
M 27					EP 280 - ○ 21	
	M 27 × 2		M 26 × 1.5	.3/4"	EP 280 - ○ 22	
M 30			M 27 × 1.5		EP 280 - ○ 23	
	M 30 × 2		M 28 × 1.5	.7/8"	PG 21	EP 280 - ○ 24
M 33			M 30 × 1.5		EP 280 - ○ 25	
M 36	M 33 × 2		M 32 × 1.5 M 33 × 1.5	1."	EP 280 - ○ 26	
	M 36 × 3		M 35 × 1.5		EP 280 - ○ 27	
M 39 M 42	M 39 × 3	M 36 × 2	M 36 × 1.5 M 38 × 1.5	1.1/8"	PG 29	EP 280 - ○ 28
	M 42 × 3	M 39 × 2 M 42 × 2	M 39 × 1.5 M 40 × 1.5	1.1/4"		EP 280 - ○ 29
					EP 280 - ○ 291	
M 45			M 42 × 1		EP 280 - ○ 30	
M 48	M 45 × 3		M 42 × 1.5	1.3/8"	EP 280 - ○ 31	
		M 45 × 2	M 45 × 1.5		EP 280 - ○ 32	
M 52		M 48 × 2		1.1/2"	PG 36	EP 280 - ○ 33
			M 48 × 1.5		EP 280 - ○ 34	
M 56	M 52 × 3	M 52 × 2	M 50 × 1.5		EP 280 - ○ 35	
M 60		M 56 × 2	M 55 × 1.5		PG 42	EP 280 - ○ 36
M 64	M 60 × 4				EP 280 - ○ 37	
M 64		M 58 × 2 M 60 × 2	M 58 × 1.5	2."	PG 48	EP 280 - ○ 38
M 68	M 64 × 4		M 60 × 1.5 M 62 × 1.5			EP 280 - ○ 39
	M 68 × 4	M 64 × 2	M 65 × 1.5	2.1/4"		EP 280 - ○ 40
		M 72 × 2	M 70 × 1.5			EP 280 - ○ 41
		M 76 × 2	M 75 × 1.5	2.1/2"		EP 280 - ○ 42
	M 90 × 4			3."		EP 280 - ○ 43

**Material :**  
LLD-PE,  
linear low density polyethylene

**Standard Colours :**  
yellow

Low-cost. Can be used as either a cap or plug. Easy fitting and removal. Provide excellent protection from damage, dirt, moisture and corrosion during storage and transportation.

**Premium Protec Price advantage**  
**Consistently low prices**

**PROTEC PLASTICS**

Should your requirements not be shown please ask for separate quotation.  
PROTEC products and specifications are subject to improvement and change without notice.

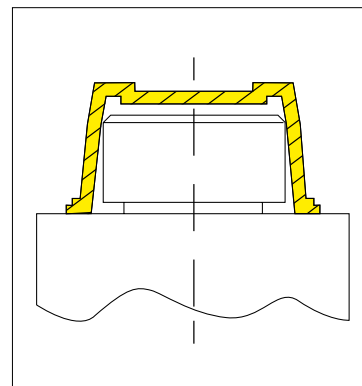
# Tapered Protection Plugs / Caps

## Selection Guide for EXTERNAL PROTECTION

### Used as a Cap

All dimensions in mm

Metric External Thread				Reference No.	
Standard thread	Fine thread		BSP		DIN 40430
M 4		M 4 × 0.5			EP 280 - ○ 01
M 5		M 5 × 0.5			EP 280 - ○ 02
M 6		M 6 × 0.5			EP 280 - ○ 03
M 8		M 8 × 1			EP 280 - ○ 04
					EP 280 - ○ 05
		M 10 × 1			EP 280 - ○ 06
M 10			.1/8"		EP 280 - ○ 07
					EP 280 - ○ 08
M 12	M 12 × 1	M 12 × 1.5			EP 280 - ○ 09
				PG 7	EP 280 - ○ 10
			.1/4"		EP 280 - ○ 11
M 14		M 14 × 1.5			EP 280 - ○ 12
					EP 280 - ○ 13
M 16		M 16 × 1.5		PG 9	EP 280 - ○ 14
			.3/8"		EP 280 - ○ 15
M 18	M 18 × 2	M 18 × 1.5			EP 280 - ○ 16
					EP 280 - ○ 17
				PG 11	EP 280 - ○ 18
M 20	M 20 × 2	M 20 × 1.5		PG 13.5	EP 280 - ○ 19
			.1/2"		EP 280 - ○ 20
M 22	M 22 × 2	M 22 × 1.5			EP 280 - ○ 21
M 24	M 24 × 2	M 24 × 1.5	.5/8"	PG 16	EP 280 - ○ 22
					EP 280 - ○ 23
M 27	M 27 × 2	M 26 × 1.5 M 27 × 1.5	.3/4"		EP 280 - ○ 24
	M 28 × 2	M 28 × 1.5		PG 21	EP 280 - ○ 25
M 30	M 30 × 2	M 30 × 1.5	.7/8"		EP 280 - ○ 26
M 33	M 33 × 2	M 32 × 1 M 32 × 1.5 M 33 × 1.5			EP 280 - ○ 27
	M 34 × 2	M 35 × 1.5	1."		EP 280 - ○ 28
		M 38 × 1.5	1.1/8"	PG 29	EP 280 - ○ 29
	M 38 × 2	M 38 × 1.5			EP 280 - ○ 291
M 39	M 39 × 3	M 39 × 2 M 39 × 1.5 M 40 × 1.5			EP 280 - ○ 30
	M 40 × 3	M 40 × 2 M 40 × 1.5			EP 280 - ○ 31
M 42	M 42 × 3	M 42 × 2 M 42 × 1.5	1.1/4"		EP 280 - ○ 32
M 45	M 45 × 3	M 45 × 2 M 45 × 1.5	1.3/8"		EP 280 - ○ 33
					EP 280 - ○ 34
M 48	M 48 × 3	M 48 × 2 M 48 × 1.5	1.1/2"	PG 36	EP 280 - ○ 35
M 52	M 52 × 3	M 52 × 2 M 52 × 1.5	1.3/4"	PG 42	EP 280 - ○ 36
	M 56 × 4	M 56 × 2 M 55 × 1.5			EP 280 - ○ 37
	M 55 × 4	M 55 × 2 M 55 × 1.5			EP 280 - ○ 38
	M 60 × 4	M 58 × 2 M 60 × 2 M 58 × 1.5 M 60 × 1.5	2."	PG 48	EP 280 - ○ 39
M 62		M 62 × 1.5			EP 280 - ○ 40
					EP 280 - ○ 41
	M 72 × 4	M 72 × 2 M 72 × 1.5			EP 280 - ○ 42
					EP 280 - ○ 43



**Material :**  
LLD-PE,  
linear low density polyethylene

**Standard Colours :**  
yellow

**Individual Productions :**  
On request we develop and produce individually tailored solutions next to the standard items of this range: additional dimensions, different materials and new colours

We would be pleased to advise you.

**P** Always the best solution.  
**P** Always at the best prices.

Should your requirements not be shown please ask for separate quotation.  
PROTEC products and specifications are subject to improvement and change without notice.